



CALL FOR ENTRY – CCBC WINDOW INSTALLATION PROGRAM, 2020

CCBC Shop & Gallery Granville Island is welcoming submission proposals from craft artists for window installations for the period of **February 2020 – November 2020**.

CCBC Gallery will exhibit craft that demonstrates a significant departure from the artist/curator's current craft practice and that strengthens craft's role in culture creation.

The CCBC Shop & Gallery Window Installation Program is intended to create a platform for artists to engage with customers by animating our shop space and inviting guests to explore the diversity of contemporary craft. This is a chance for artists to explore a specific theme, tone or idea that not only considers technique and aesthetic, but responds to the space that the work is in and recognizes the importance of context within contemporary craft. We are seeking installations that utilize the space in a creative capacity that considers viewers outside and within to shop, and to engage and evoke discourse on the role of craft in a compact environment. To distinguish the installation from the shop displays, and ensure a dynamic use of space, we encourage projects that use creative alternatives to traditional plinths. The window installations are meant to encourage customer interaction, excite curiosity, and add a focal point of interest to our space with the themes, ideas and visual language that they present. There is a \$200 CARFAC fee for the exhibition.

SPECIFICATIONS

- Must use the entire window space (main North window and small West window).
- Must work visually as viewed from outside the shop looking in and from inside the shop, allowing customers to want to enter the space, not just look from the outside. Also consider how the work can guide the customer further into the shop.
- Must provide an artist statement, no less than 200 words and no more than 400 words. This will be displayed with the installation and may be posted to the CCBC website.
- Should consider the natural light provided by the window. Mustn't block light, and ideally would engage with it. Consider the time of year and the limitations of light exposure, especially in the Autumn/Winter months.
- Must be cohesive in nature and clearly express a certain theme or idea. Cannot simply be a display of the artists' work, but a holistic installation that establishes a tone.
- Should use space intentionally, with hierarchy and variation of size, height, colour and orientation. Consider the ceiling space, floor space and corners.
- Must specify if plinths (quantity and specific dimensions) are needed one month ahead of time. Must be flexible with how we can accommodate. A list of available plinths may be provided upon request.

- Should encourage some level of customer interaction. This could include but is not limited to: touch, movement, practical use (such as sitting in chairs), small details to see up close.
- Must consider and express an understanding of contemporary craft, with the intention of engaging the greater community in this conversation.
- Should use this installation as an opportunity to push personal ability and seek new ways to work with one's medium.
- Will include an engagement opportunity by inviting the public to attend and dialogue with the artist during installation, while work is up, or during take-down. This can be negotiated between the artist and CCBC.
- Must promote installation through social media, highlighting the location and enterprise.
- Work in installation must be available for purchase.

APPLICATION REQUIREMENTS

Applicants must be members of CCBC. All members are encouraged to apply.

Groups applying for an exhibition should submit only one application.

In preparation for the application we suggest that you have a CV that reflects: previous exhibitions, educational background, honours & awards, permanent collections & commissions and teaching & lectures you have delivered

Submission Statement: Applicants to provide a written proposal (max 1000 words). In paragraph form, please describe the following:

- Your current artistic practice
- The proposed body of work, installation and overall intent or concept of the exhibition.
- Describe how this body of work or installation differs from your current practice as per the CCBC curatorial intent. Please include the following in your application:
 - 1-5 digital images of current work. This is intended to demonstrate the skill and accomplishment of the artist, not the work that will be included in the exhibition itself.
 - Image description file, including title, date, medium and dimensions. Images should be numbered and listed in the same order as they are uploaded to the submission site.
 - One preliminary sketch of how you intend to use the window space.
 - Dates within the allotted schedule that you intend your work to be shown. You may choose more than one. Dates are tentative and may be adjusted based on the needs of the CCBC Shop & Gallery and submitted proposals.

APPLICATION PROCESS

We use an application called [SlideRoom](#) for our submission process. Note that you can stop and save your work at any time and come back to finish it prior to submitting your application.

The application fee is \$25.00 USD. As we need to run all of our program on a cost-recovery basis, this fee helps offset the running of the program.

CCBC Shop & Gallery staff are available to support artists and curators in developing installation applications, if you need assistance, please contact us at: gi_shop@craftcouncilbc.ca

IMPORTANT DEADLINES

July 15, 2020: Deadline for receipt of application at CCBC office.

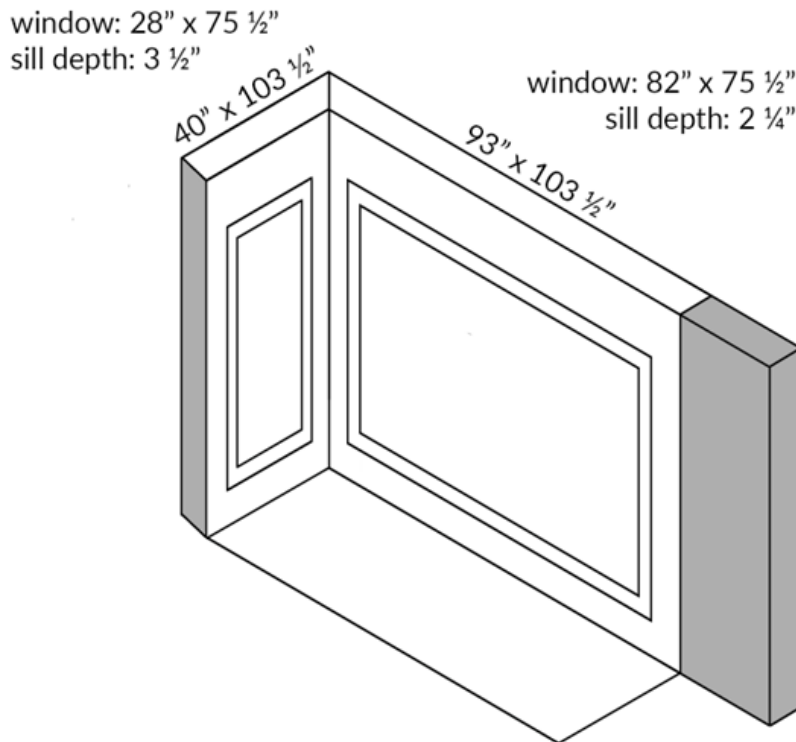
July 18th, 2020: Applicants will be notified of acceptance and given a date for their exhibition.

2020 WINDOW DISPLAY SCHEDULE – REMAINING DATES AVAILABLE

July 27th – August 28th

Sept 3rd – Oct 11th

WINDOW DIMENSIONS



North wall: 93" x 103 ½"
 North window sill depth: 2 ¼"
 Height from ceiling to window frame: 9 ¼"

North window: 82" x 75 ½"
 Height from floor to window sill: 12 ¼"

West wall: 40" x 103 ½"
 West window sill depth: 3 ½"
 Height from ceiling to window frame: 9 ¼"

West window: 28" x 75 ½"
 Height from floor to window sill: 12 ¼"
 Floor space: 40" x 82"

Grey area includes space that artists are not entitled to utilising in their installation. Exhibition area is 20" from doorway entrance.